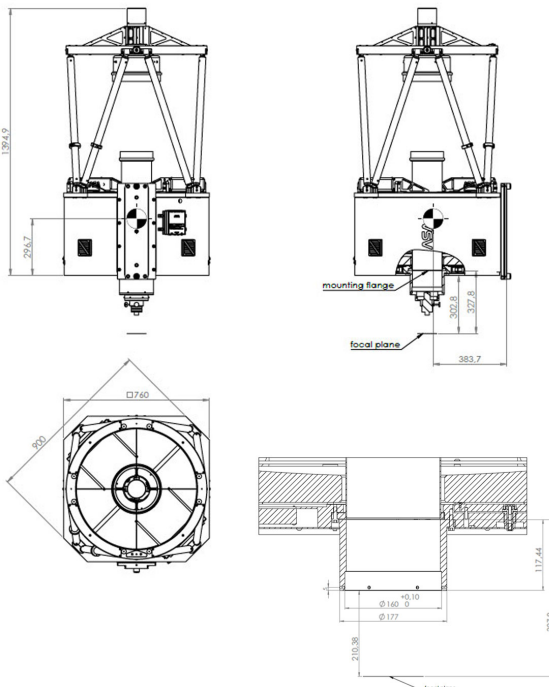


ASA RC600 + DDM100 + polar wedge**ASA AT ITS BEST!**

The RC600_1 package combines the remarkable RC600 OTA with our compact DDM100 mount. The RC600_1 represents the pinnacle of high performance and high-value.

Main Facts**Optical design**

Ritchey-Chrétien RC

Linear central obstruction

40%

Focal length

4200mm

Focal ratio system

f7

Clear Aperture / Focal Ratio Primary Mirror

600mm (23.6 inch) / f2.5

Image field

100mm (1.36 degrees)

Mirror material

Fused silica

Back Focus from flange

210.38mm

Weight tube

105kg (231lbs)

Motor

ASA Direct Drive

Latitude Range

0 to 90 degrees

Weight mount (without counterweight)

56kg (123lbs)

Software

ASA API (application programming interface) available autumn 2023 ASA Software (Autoslew, Sequence-windows based) with ASCOM-Alpaca

Max. slew speeds

Up to 50 degrees per second

Pointing Accuracy (20° to 85°)

<8" RMS with pointing model and ASA telescope

Tracking Accuracy (20° to 85°)

<0,25" RMS within 5 minutes tracking time over 5 min 0,05" RMS/min

System Natural Frequency

10 Hz or greater